

# Ambrogio Robot L350

MD-CO-RO-23 - Rev. 2.0 - 30/09/2022 - Ambrogio Robot L350

Spare Parts Catalogue

Previous Revision  
**Current Revision**

1.9  
**2.0**

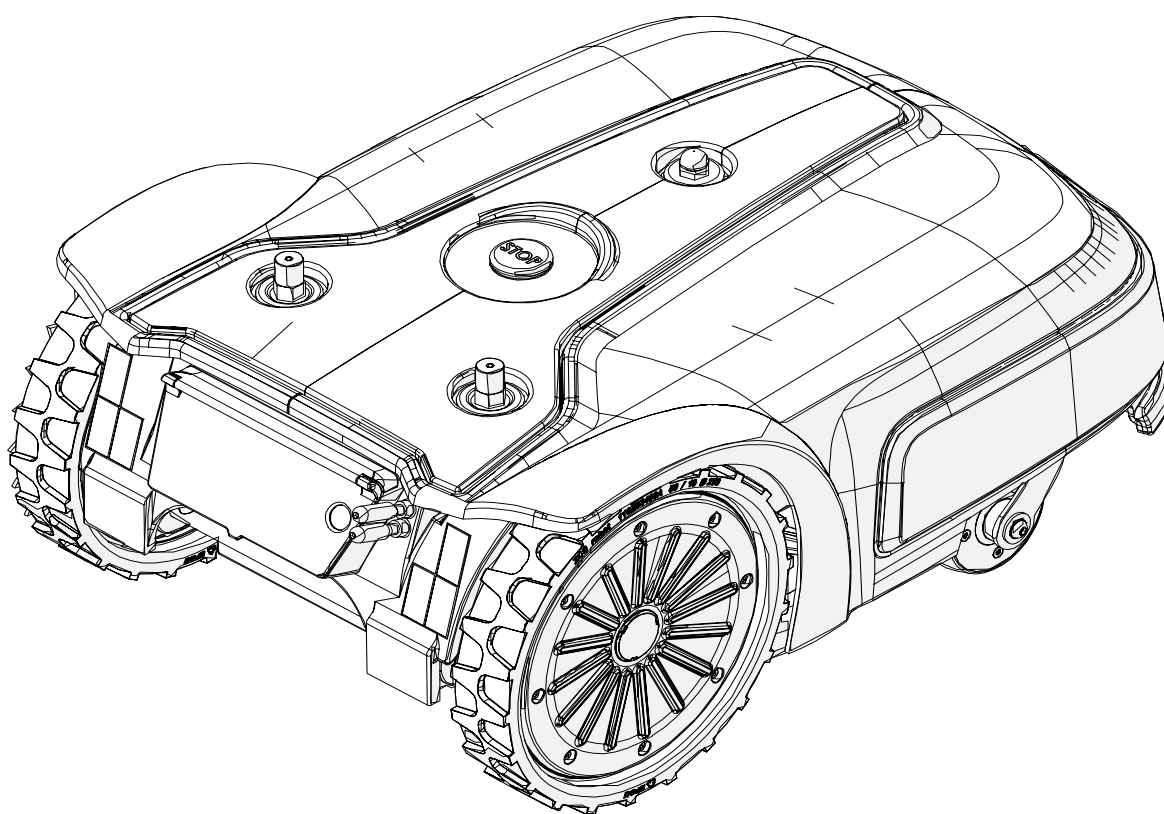
From

**2022-09**

Models Type

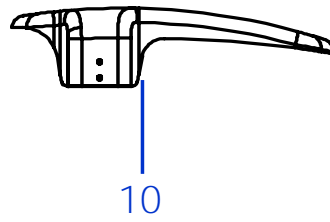
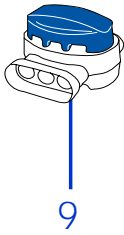
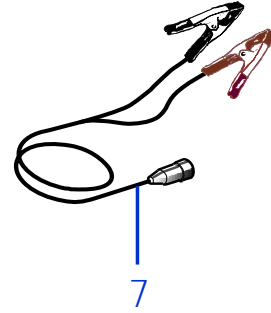
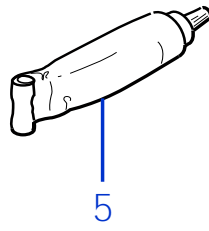
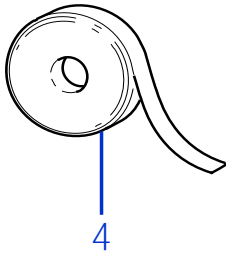
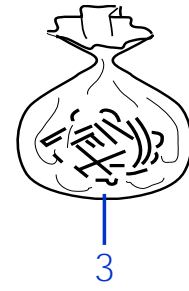
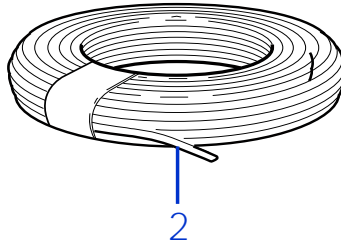
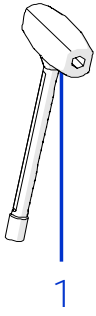
8350EL0

Ambrogio Robot L350i Elite



**Price List. Only for Italy. Delivery cost not included**  
Listino al pubblico. Trasporto non incluso





Tav. **01** **0**  
 Tab.  
 Taf.

(\*) Prezzo soggetto a scontistica diversa .(\*) Price with a different discount

Prezzo 22% IVA Inclusa. Price with 22% VAT Included.

Prezzo senza IVA. Price without VAT

| Rif. | Code        | Qt.in Robot |         | (IT) Descrizione * (GB) Description | MOQ | Net Price | Public Price |
|------|-------------|-------------|---------|-------------------------------------|-----|-----------|--------------|
| 1    | 300Z22900A  | 1           |         | Chiave - Screwdriver                | 1   | 13,10     | 15,98        |
| 2    | CS_E0002OS  | 1           | MT 100  | Cavo - Cable                        | 1   | 58,20     | 71,00        |
| 2    | CS_E0002    | 1           | MT 150  | Cavo - Cable                        | 1   | 86,90     | 106,02       |
| 2    | CS_E0002_3  | 1           | MT 300  | Cavo - Cable                        | 1   | 175,80    | 214,48       |
| 2    | CS_E0002_5  | 1           | MT 500  | Cavo - Cable                        | 1   | 298,40    | 364,05       |
| 2    | CS_E0002_10 | 1           | MT 1000 | Cavo - Cable                        | 1   | 621,80    | 758,60       |

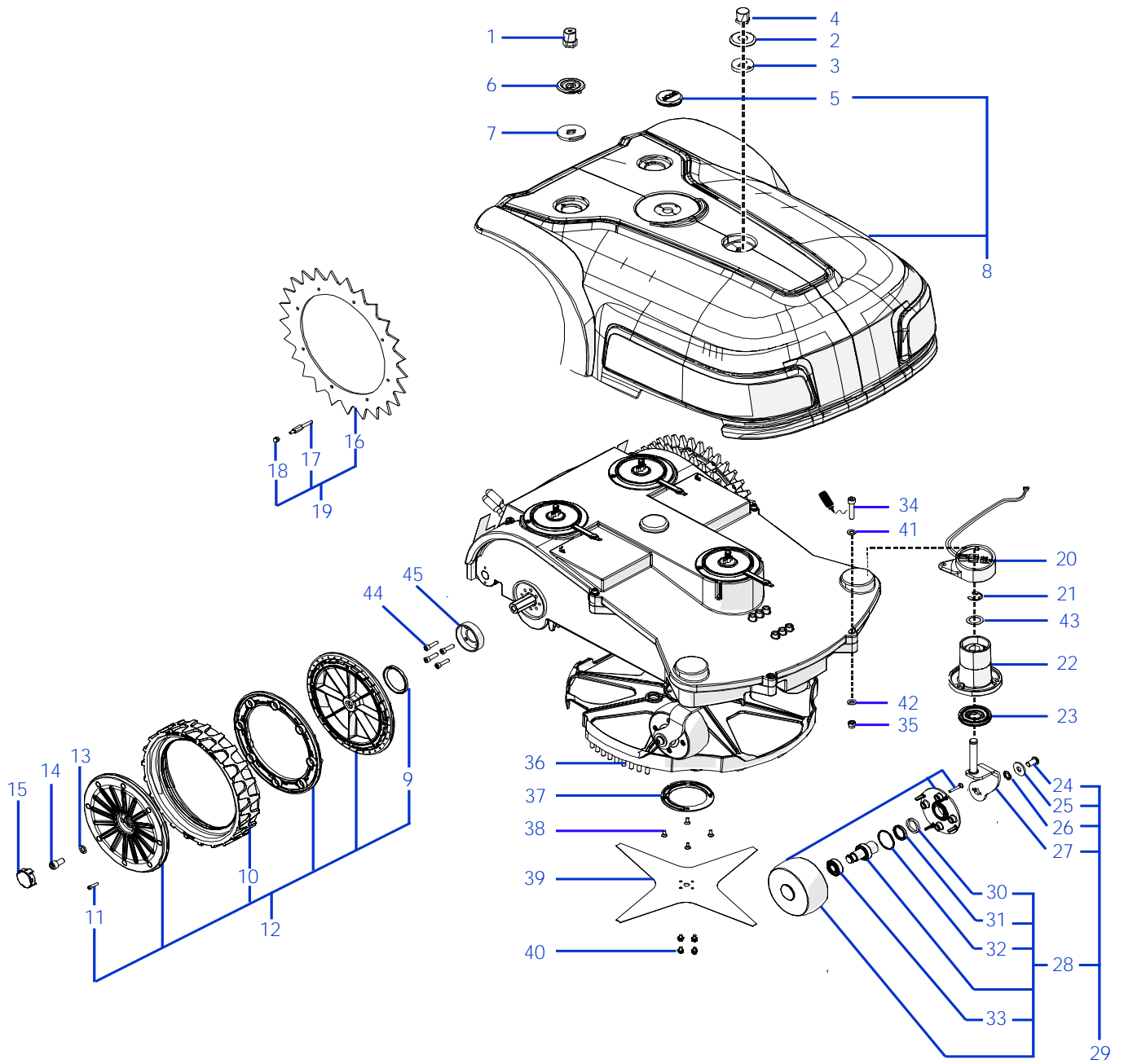
**Consegna in 60 giorni dall'ordine - Delivery Time 60 days from order date**

|    |             |     |           |  |   |        |        |
|----|-------------|-----|-----------|--|---|--------|--------|
| 3  | 200A00100A  | 0-1 | (100 Pz ) | Conf. Chiodi - Nails Bag                           | 1 | 13,40  | 16,35  |
| 3  | 200A00200A  | 0-1 | (200 Pz ) | Conf. Chiodi - Nails Bag                           | 1 | 24,80  | 30,26  |
| 4  | CS_C0111    | 0   |           | Nastro Agglomerante - Stretch Electrical Tape      | 1 | 28,80  | 35,14  |
| 5  | CS_C0109    | 0   | 200 Gr    | Grasso - Grease                                    | 1 | 22,80  | 27,82  |
| 7  | CB01RICINV3 | 0   |           | Kit Ricarica Invernale - Kit for Winter Garaging   | 1 | 63,30  | 77,23  |
| 9  | 200A00003   | 1   |           | (3pcs) - Connettore - Connector                    | 1 | 5,36   | 6,54   |
| 9  | 200A00001   | 0   |           | (10pcs) - Connettore - Connector                   | 1 | 15,30  | 18,67  |
| 9  | 200A00050   | 0   |           | (50pcs) - Connettore - Connector                   | 1 | 63,50  | 77,47  |
| 10 | 300Z42300A  | 0   |           | Copertura base di ricarica - Docking station cover | 1 | 128,40 | 156,65 |

Solo per rivenditori  
 Only for dealer

| Code      | (IT) Descrizione * (GB) Description                  | MOQ | Net Price           |
|-----------|--|-----|---------------------|
| CS_BT_USB | Convertitore USB-Bluetooth - USB-Bluetooth Converter | 1   | 52,90 No discount * |





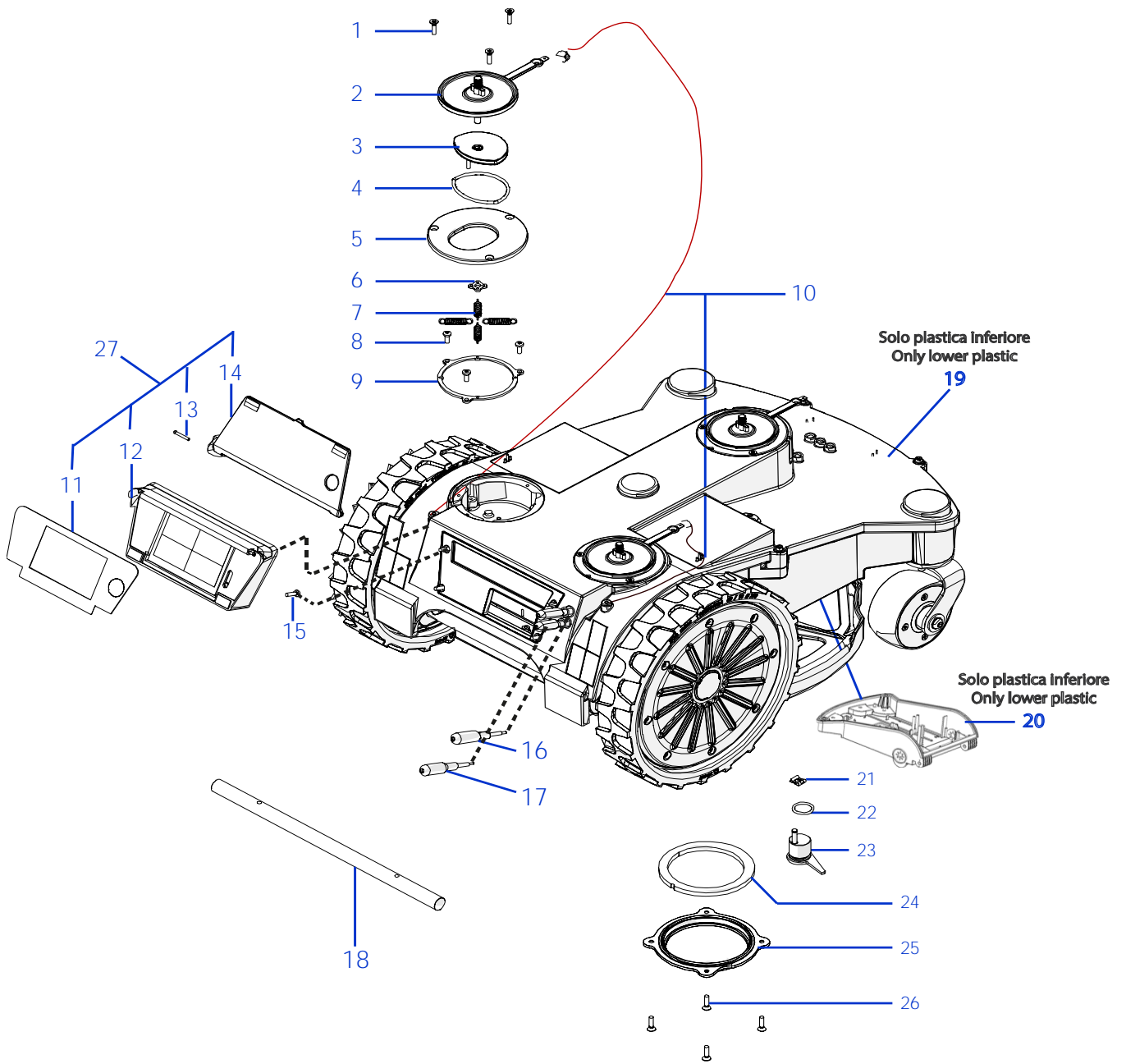
Tav. **02**  
 Tab. **0**  
 Taf.

(\*) Prezzo soggetto a scontistica diversa .(\*) Price with a different discount

Prezzo 22% IVA Inclusa. Price with 22% VAT Included.

Prezzo senza IVA. Price without VAT

| Rif. | Code         | Qt.in Robot |                  | (IT) Descrizione * (GB) Description      | MOQ | Net Price | Public Price |
|------|--------------|-------------|------------------|--|-----|-----------|--------------|
| 1    | 300Z38300A   | 2           |                  | Pomello di ricarica - Recharging Bolt    | 1   | 13,10     | 15,98        |
| 2    | 030Z03100A   | 1           |                  | Anello - Ring                            | 1   | 6,96      | 8,49         |
| 3    | 025_D0080.4  | 1           |                  | Guarnizione - Gasket                     | 1   | 3,75      | 4,58         |
| 4    | 300Z01000A   | 1           |                  | Pomello di ricarica - Recharging Bolt    | 1   | 13,10     | 15,98        |
| 5    | 110E01300A   | 1           |                  | Tasto Stop - Stop key                    | 1   | 34,50     | 42,09        |
| 6    | 300Z27400A   | 2           |                  | Anello - Ring                            | 1   | 6,96      | 8,49         |
| 7    | 300Z27300A   | 3           |                  | Guarnizione - Gasket                     | 1   | 4,07      | 4,97         |
| 8    | 300Z36800A   | 1           |                  | Gruppo Calotta - Cap Set                 | 1   | 240,60    | 293,53       |
| 9    | VCW50625     | 0-2         | VC-W 50X62X5     | Oring - Oring                            | 1   | 8,78      | 10,71        |
| 10   | 110Z53400A   | 2           |                  | Copertone - Tire                         | 1   | 20,30     | 24,77        |
| 11   | C02087       | 16          |                  | Vite - Screw                             | 10  | 7,00      | 8,54         |
| 12   | 110Z54500A   | 2           |                  | Ruota con copertone - Wheel with tire    | 1   | 90,20     | 110,04       |
| 13   | A850552      | 2           |                  | Rondella - Washer                        | 10  | 2,80      | 3,42         |
| 14   | C02061       | 2           |                  | Vite - Screw                             | 8   | 11,76     | 14,35        |
| 15   | 110Z58200A   | 2           |                  | "A Logo" - Borchia - Boss                | 1   | 2,57      | 3,14         |
| 16   | 110Z54001A   | 16          |                  | Artiglio Ruota - Wheel Spike             | 1   | 67,10     | 81,86        |
| 17   | 300Z41100A   | 16          |                  | Perno - pin                              | 8   | 16,40     | 20,01        |
| 18   | C01273       | 2           |                  | Dado - Nut                               | 10  | 3,60      | 4,39         |
| 19   | 110Z62600A   | 2           |                  | Kit Artiglio Ruota - Wheel Spike kit     | 1   | 81,00     | 98,82        |
| 20   | 300A00400A   | 1           |                  | Scheda Sollevamento - Lift board         | 1   | 25,00     | 30,50        |
| 21   | CS_C0030     | 2           |                  | Seger - Seger                            | 100 | 26,00     | 31,72        |
| 22   | 051Z31000A   | 2           |                  | Guida albero - Shaft Guide               | 1   | 14,30     | 17,45        |
| 23   | 110Z43500A   | 2           |                  | Soffietto - Bellows                      | 1   | 3,54      | 4,32         |
| 24   | C00678       | 2           |                  | Vite - Screw                             | 8   | 12,32     | 15,03        |
| 25   | C00360       | 2           |                  | Rondella Dentata - Toothed Washer        | 8   | 7,52      | 9,17         |
| 26   | C00361       | 2           |                  | Rondella - Washer                        | 8   | 7,52      | 9,17         |
| 27   | 300Z29900A   | 1           |                  | Albero Destro - Right Shaft              | 1   | 21,70     | 26,47        |
| 27   | 300Z30300A   | 1           |                  | Albero Sinistro - Left Shaft             | 1   | 21,70     | 26,47        |
| 28   | 110Z34200A   | 2           |                  | (No Magn.) Ruota Anteriore - Front Wheel | 1   | 44,40     | 54,17        |
| 29   | 300Z29800A   | 1           |                  | Gruppo Ruota Destra - Right Wheel Group  | 1   | 62,90     | 76,74        |
| 29   | 300Z28900A   | 1           |                  | Gruppo Ruota Sinistra - Left Wheel Group | 1   | 62,90     | 76,74        |
| 30   | 300Z02500A   | 2           | PTFE             | Anello - Ring                            | 8   | 23,36     | 28,50        |
| 31   | C00124       | 2           |                  | Anello - Ring                            | 8   | 16,00     | 19,52        |
| 32   | C00121       | 2           | OR 2125 ISO 3601 | Oring - Oring                            | 8   | 7,12      | 8,69         |
| 33   | C00119       | 4           | W6001-2RS1       | Cuscinetto - Bearing                     | 1   | 7,16      | 8,74         |
| 34   | C01246       | 4           |                  | Vite - Screw                             | 8   | 8,56      | 10,44        |
| 35   | C01464       | 4           |                  | Dado - Bolt                              | 8   | 2,40      | 2,93         |
| 36   | 300Z21000B   | 1           |                  | Campana - Bell                           | 1   | 23,30     | 28,43        |
| 37   | 200Z18300C   | 1           |                  | Supporto - Support                       | 1   | 11,60     | 14,15        |
| 38   | C00603       | 4           |                  | Vite - Screw                             | 100 | 35,00     | 42,70        |
| 39   | 300_D0042_04 | 1           | 4KF Ø36 Cm       | Lama di taglio - Cutting blade           | 1   | 32,20     | 39,28        |
| 40   | C00212       | 4           |                  | Vite - Screw                             | 100 | 23,00     | 28,06        |
| 41   | C01759       | 4           |                  | Rondella - Washer                        | 8   | 6,08      | 7,42         |
| 42   | C01247       | 4           |                  | Rondella - Washer                        | 8   | 6,08      | 7,42         |
| 43   | C00616       | 2           |                  | Rondella - Washer                        | 10  | 3,80      | 4,64         |
| 44   | A850544      | 8           |                  | Vite - Screw                             | 100 | 33,00     | 40,26        |
| 45   | 300_D0037_01 | 2           |                  | Supporto Ruota - Wheel support           | 1   | 11,90     | 14,52        |



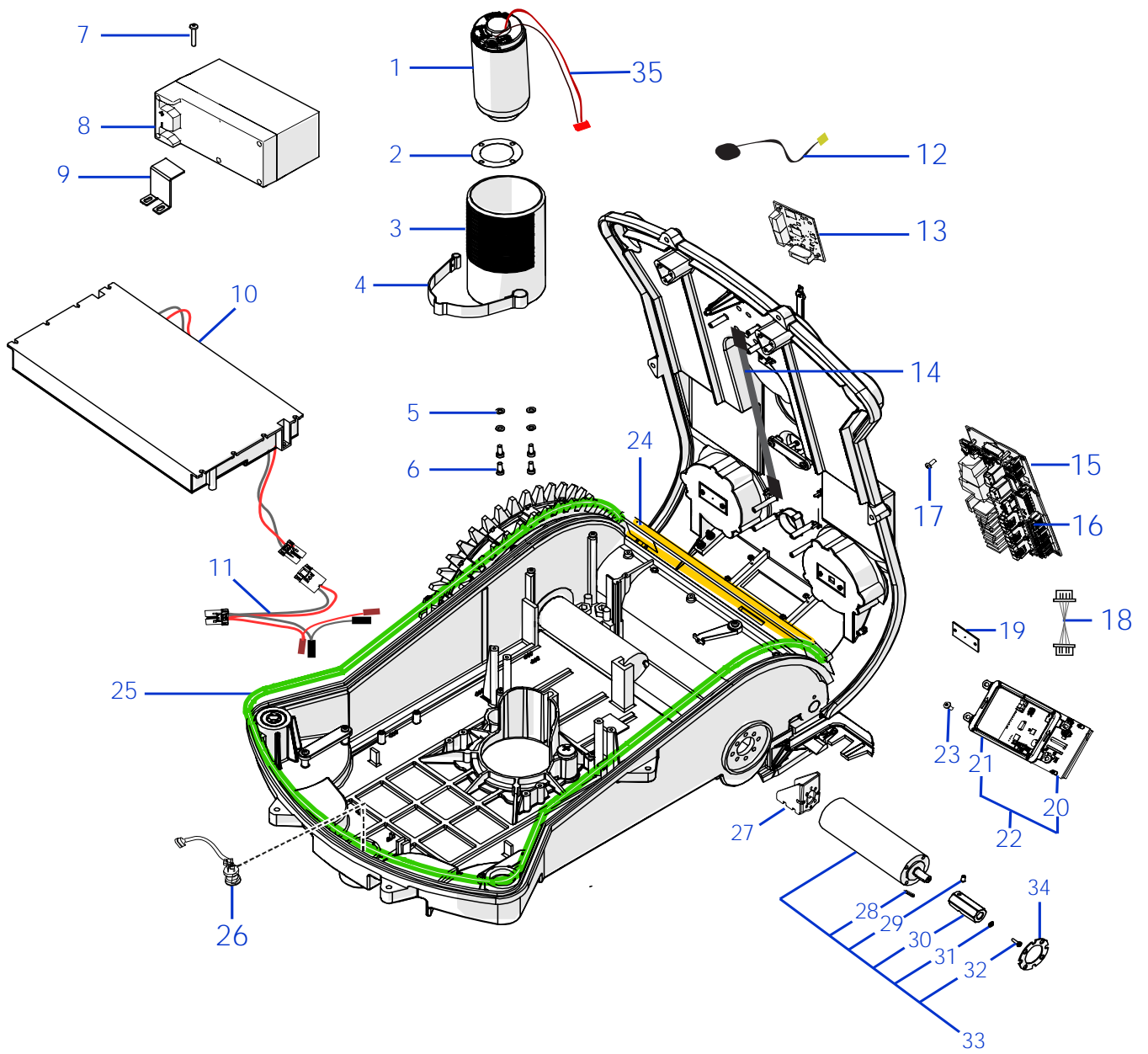
Tav. **03** **0**  
 Tab.  
 Taf.

(\*) Prezzo soggetto a scontistica diversa .(\*) Price with a different discount

Prezzo 22% IVA Inclusa. Price with 22% VAT Included.

Prezzo senza IVA. Price without VAT

| Rif. | Code          | Qt.in Robot | (IT) Descrizione * (GB) Description                   | MOQ | Net Price | Public Price |
|------|---------------|-------------|---|-----|-----------|--------------|
| 1    | C00172        | 9           | Vite - Screw  | 100 | 25,00     | 30,50        |
| 2    | 025_D0049_03  | 3           | Flangia - Support                                     | 1   | 32,90     | 40,14        |
| 3    | 025_D0047_01  | 3           | Supporto - Support                                    | 1   | 24,40     | 29,77        |
| 4    | C00561        | 3           | Oring - Oring   | 10  | 19,90     | 24,28        |
| 5    | 025_D0048_01B | 3           | Supporto - Support                                    | 1   | 24,40     | 29,77        |
| 6    | 025_D0044_01  | 3           | Anello Interno - Inner ring                           | 1   | 7,82      | 9,54         |
| 7    | 300Z23400A    | 12          | Molla - Spring  | 10  | 22,10     | 26,96        |
| 8    | C00152        | 9           | Vite - Screw  | 100 | 25,00     | 30,50        |
| 9    | 025_D0043_01  | 3           | Anello Esterno - Outer ring                           | 1   | 13,40     | 16,35        |
| 10   | CB02_L350     | 1           | Cavo ricarica - Recharging Cable                      | 1   | 7,20      | 8,78         |
| 11   | 300Z36200A    | 1           | Pellicola display - Display film                      | 1   | 29,50     | 35,99        |
| 12   | 300Z37700A_R  | 1           | Supporto display - Display Support                    | 1   | 10,80     | 13,18        |
| 13   | 300Z35400A    | 2           | Vite - Screw  | 8   | 11,76     | 14,35        |
| 14   | 300Z40500A_R  | 1           | Cover display - Cover                                 | 1   | 10,80     | 13,18        |
| 15   | C00690        | 4           | Vite - Screw  | 10  | 6,80      | 8,30         |
| 16   | CS_D0094      | 1           | Pomello Pioggia - Rain Contact                        | 1   | 19,40     | 23,67        |
| 17   | CS_D0095      | 1           | Pomello Pioggia Eccentrico - Excentrical Rain Contact | 1   | 21,70     | 26,47        |
| 18   | 300Z20200A    | 1           | Maniglia - Handle                                     | 1   | 12,70     | 15,49        |
| 19   | 300Z33800A    | 1           | Gruppo Scocca Sup. - Upper Body Set                   | 1   | 71,10     | 86,74        |
| 20   | 300Z34300A    | 1           | Gruppo Scocca - Body Set                              | 1   | 92,20     | 112,48       |
| 21   | C01936        | 1           | Seger - Seger   | 10  | 9,00      | 10,98        |
| 22   | C01440        | 1           | Guarnizione - Gasket                                  | 10  | 2,20      | 2,68         |
| 23   | 051Z00700A    | 1           | Piastra fissaggio - Fixing plate                      | 1   | 12,00     | 14,64        |
| 24   | 200Z18800B    | 1           | Guarnizione - Gasket                                  | 1   | 2,06      | 2,51         |
| 25   | 200Z19100A    | 1           | Piastra - Plate                                       | 1   | 6,96      | 8,49         |
| 26   | C00172        | 4           | Vite - Screw  | 100 | 25,00     | 30,50        |
| 27   | 300Z36300A_R  | 1           | Gruppo supporto display - Display holder kit          | 1   | 78,80     | 96,14        |





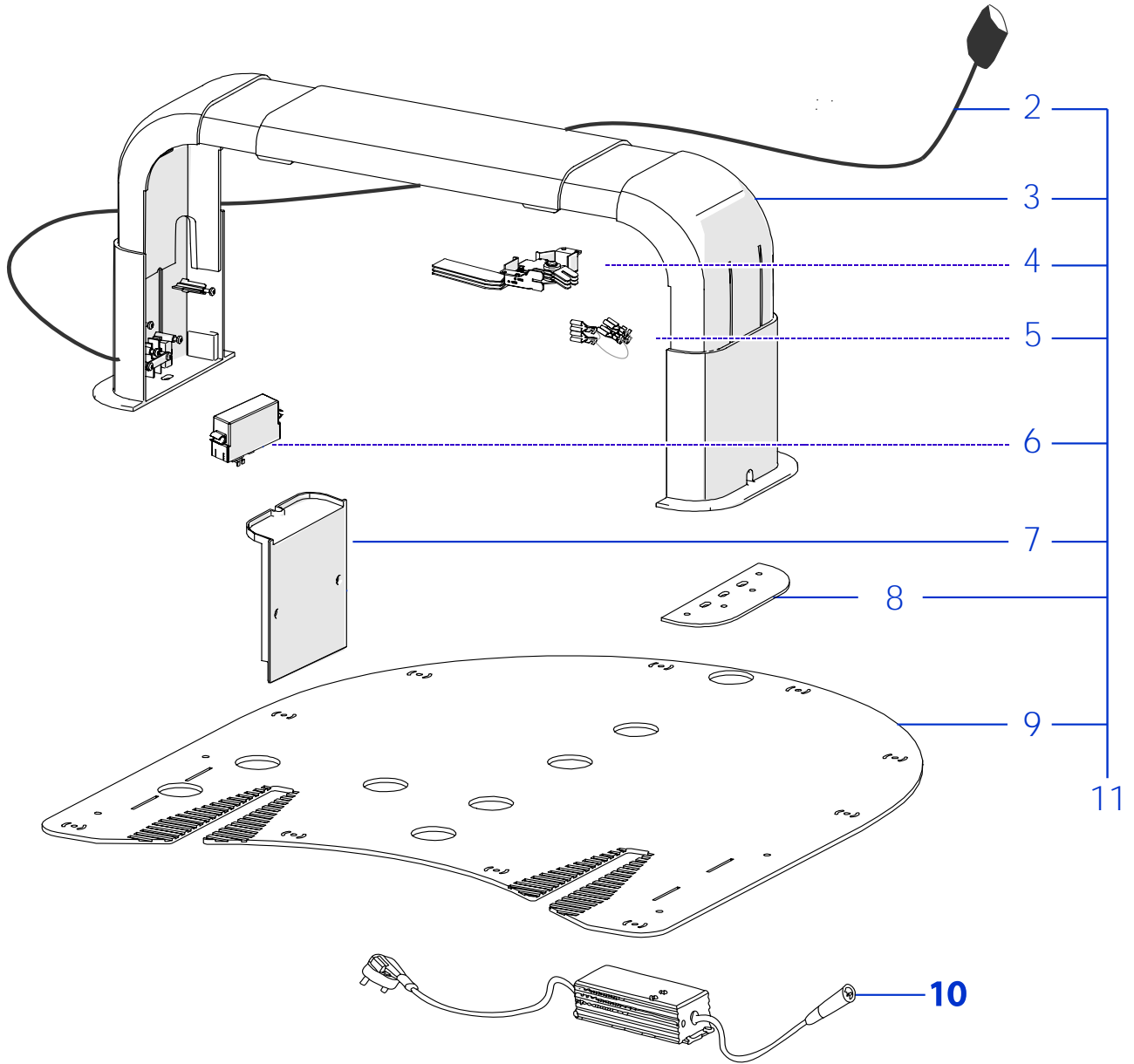
Tav. **04** **0**  
 Tab.  
 Taf.

(\*) Prezzo soggetto a scontistica diversa .(\*) Price with a different discount

Prezzo 22% IVA Inclusa. Price with 22% VAT Included.

Prezzo senza IVA. Price without VAT

| Rif. | Code          | Qt.in Robot |           | (IT) Descrizione * (GB) Description                  | MOQ | Net Price  | Public Price |
|------|---------------|-------------|-----------|--|-----|------------|--------------|
| 1    | 042A35000A    | 1           | Brushless | (Brushless) - Motore di Taglio - Group Cutting Motor | 1   | 269,90     | 329,28       |
| 2    | 051Z15700B    | 1           |           | Guarnizione - Gasket                                 | 10  | 4,70       | 5,73         |
| 3    | 200Z18500A    | 1           |           | Supporto Motore - Motor support                      | 1   | 14,80      | 18,06        |
| 4    | 110Z29200A    | 1           |           | Piastra Elastica - Elastic plate                     | 1   | 44,90      | 54,78        |
| 5    | C00016        | 4           |           | Rondella - Washer                                    | 100 | 12,00      | 14,64        |
| 6    | C00035        | 4           |           | Vite - Screw   | 100 | 35,00      | 42,70        |
| 7    | A850199       | 4           |           | Vite - Screw   | 100 | 33,00      | 40,26        |
| 8    | CS_C0106_BT_R | 2           |           | (7,5Ah) Batteria - Battery                           | 1   | to enduser | 303,00 *     |
| 9    | 300_D0036_00  | 2           |           | StaffaBatteria 7.5Ah - Battery Bracket 7.5Ah         | 1   | 6,22       | 7,59         |
| 10   | 300Z42800A_R  | 1           |           | (15Ah) Batteria - Battery                            | 1   | to enduser | 601,00 *     |
| 11   | CB03_ADTPS    | 1           |           | Cablaggio - Wiring                                   | 1   | 14,20      | 17,32        |
| 12a  | C02455        | 1           | GSM       | Antenna GSM - GSM antenna                            | 1   | 10,48      | 12,79        |
| 12b  | 051Z54700A    |             | GPS       | Antenna GPS - GPS Antenna                            | 1   | 34,00      | 41,48        |
| 13   | 015E01300A    | 1           | 4G EU     | Modulo Connect 4G ME910 - Connect Module 4G ME910    | 1   | 339,00     | 413,58       |
| 14   | CB09_CONNECT  | 1           |           | Cablaggio - Wiring                                   | 1   | 7,64       | 9,32         |
| 15   | 046E00500A    | 1           |           | Scheda Madre - Mother Board                          | 1   | 517,20     | 630,98       |
| 16   | 110E01100A    | 2           |           | Cablaggio Terminazione CAN - CAN termination cable   | 1   | 4,58       | 5,59         |
| 17   | C00568        | 4           |           | Vite - Screw   | 100 | 22,00      | 26,84        |
| 18   | CB01_DIS4000  | 1           |           | Cablaggio - Wire                                     | 1   | 4,70       | 5,73         |
| 19   | CS_E0031_C    | 2           | 30Cm      | Scheda Sensore Urto - Bump Board                     | 1   | 21,70      | 26,47        |
| 19   | CS_E0031_D    | 1           | 60Cm      | Scheda Sensore Urto - Bump Board                     | 1   | 21,50      | 26,23        |
| 20   | 400Z47700A    | 1           |           | Display - Display                                    | 1   | 171,70     | 209,47       |
| 21   | 300Z33000A    | 2           |           | Supporto - Support                                   | 1   | 4,49       | 5,48         |
| 22   | 300Z34800A    | 2           |           | Display+Supporto - Display+Support                   | 1   | 176,10     | 214,84       |
| 23   | C00568        | 4           |           | Vite - Screw   | 100 | 22,00      | 26,84        |
| 24   | 300C000901    | 1           |           | Guarnizione - Gasket                                 | 1   | 3,21       | 3,92         |
| 25   | 300Z13700A    | 1           |           | Guarnizione - Gasket                                 | 1   | 11,00      | 13,42        |
| 26   | 110A00100A    | 2           |           | Bobina - Coil  | 1   | 45,40      | 55,39        |
| 27   | 300Z41900A    | 4           |           | Flangia interna motore - Internal motoreducer flange | 1   | 10,04      | 12,25        |
| 28   | C00752        | 2           |           | Chiavetta - Key                                      | 20  | 10,60      | 12,93        |
| 29   | C00783        | 2           |           | Grano - Grain  | 100 | 33,00      | 40,26        |
| 30   | 300Z13500A.2  | 2           |           | Esagono - Hexagon                                    | 1   | 7,39       | 9,02         |
| 31   | C00031        | 2           |           | Rondella - Washer                                    | 10  | 2,30       | 2,81         |
| 32   | C00023        | 2           |           | Vite - Screw   | 10  | 3,40       | 4,15         |
| 33   | 300Z10300A    | 2           | Brushless | Motoriduttore - Motor Reducer                        | 1   | 294,60     | 359,41       |
| 34   | 110Z11200A    | 2           |           | Guarnizione termica - Heat gasket                    | 10  | 23,10      | 28,18        |
| 35   | CB01_BRLAC021 | 1           |           | Cablaggio motore - Motor wiring                      | 1   | 16,60      | 20,25        |



Tav. **05**      **0**  
 Tab.  
 Taf.

(\*) Prezzo soggetto a scontistica diversa .(\*) Price with a different discount

Prezzo 22% IVA Inclusa. Price with 22% VAT Included.

Prezzo senza IVA. Price without VAT

| Rif. | Code         | Qt.in<br>Robot |          | (IT) Descrizione * (GB) Description                   | MOQ | Net Price | Public Price |
|------|--------------|----------------|----------|---|-----|-----------|--------------|
| 2    | CB01_23S2.V1 | 1              |          | Cavo alimentazione ricarica - Recharging supply cable | 1   | 46,40     | 56,61        |
| 3    | 030Z13000A   | 1              |          | Arco - Arch   | 1   | 90,00     | 109,80       |
| 4    | 030Z11200A   | 1              |          | Piastra di Ricarica destra - Right recharging plate   | 1   | 32,70     | 39,89        |
| 4    | 030Z10900A   | 1              |          | Piastra di Ricarica sinistra - Left recharging plate  | 1   | 32,70     | 39,89        |
| 5    | CB01_PONTE   | 2              |          | Cavo Ponte - Bridge Wire                              | 1   | 7,93      | 9,67         |
| 6    | 051Z30100A   | 1              | TX-C1-BT | Trasmittitore - Transmitter                           | 1   | 149,90    | 182,88       |
| 7    | 030Z10300A   | 2              |          | Coperchio Laterale - Lateral cap                      | 1   | 16,20     | 19,76        |
| 8    | 300Z38200A   | 2              |          | Distanziale - Spacer                                  | 1   | 18,00     | 21,96        |
| 9    | 030Z13200A   | 1              |          | Pianale di appoggio - Floor support                   | 1   | 77,30     | 94,31        |
| 10   | AMBELPB360-P | 1              |          | Caricabatteria - Battery Charger                      | 1   | 190,30    | 232,17 *     |
| 11   | 030Z21400A   | 1              |          | Base Completa - Complete Base                         | 1   | 375,90    | 458,60       |